

ON-PREMISES RIGID MOUNT WASHER EXTRACTOR

PAN80

80lb

PAN
RANGE

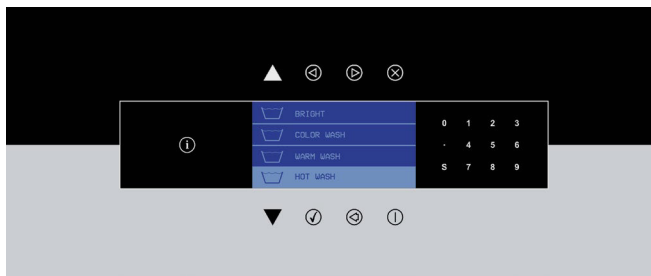


FEATURES

- XControl – fully programmable control
- Large door opening for easy loading and unloading
- Patented Cascade™ cylinder for better washability
- Stainless steel top, front, and side panels
- Stainless steel cylinder and tub
- Rigid mounted, 150 G-Force
- Patented soap hopper
- Large dual drain valve
- Front access to vital parts for easy maintenance
- USB plug on the back panel and control board
- Warranty: First three years on all parts; First five years frame and cylinder shaft assembly; First five years on cylinder bearings and bearing seals (parts only)

OPTIONS

- Third water inlet
- Steam heating



ERGONOMICAL
CONSTRUCTION



LARGE DOOR
OPENING



LOW WATER
AND ENERGY
CONSUMPTION



3 YEAR PARTS
WARRANTY

Coinamatic™
Commercial Laundry • CCL

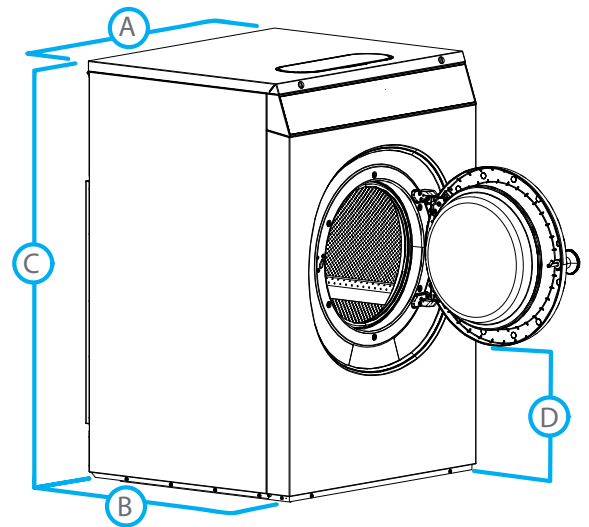
Ideas for the future. Answers for today.®

1.877.755.5302 | www.coinamatic.com

MODEL		PAN80
CONTROL OPTION		XControl+
CAPACITY - lb (kg)		80 (36)
OVERALL WIDTH - in (mm)		41.73 (1060)
OVERALL DEPTH - in (mm)		40.55 (1030)
OVERALL HEIGHT - in (mm)		59.05 (1500)
CYLINDER DIAMETER - in (mm)		35.98 (914)
CYLINDER VOLUME - cu. ft (liters)		11.7 (331)
DOOR OPENING SIZE - in (mm)		19.84 (504)
DOOR BOTTOM TO FLOOR - in (mm)		19.84 (504)
WASH SPEED - RPM		38
EXTRACT SPEED - RPM		540
EXTRACT G-FORCE		150
SOUND PRESSURE LEVEL - dB (A)		< 65
WATER VALVE CONNECTION - NPT*		0.75"
RECOMMENDED WATER PRESSURE - psi		44-73
WATER INLET (EACH) - g/min		17.44
DUAL DRAIN VALVE - in (mm)		3 (76)
FLOW AMOUNT W/ DRAIN VALVE - g/min		110
FLOOR TO DRAIN OUTLET CENTER - in (mm)		4.72 (120)
FROM BACK, RIGHT SIDE TO DRAIN OUTLET CENTER - in (mm)		12.52 (318)
FROM BACK, LEFT SIDE TO DRAIN OUTLET CENTER - in (mm)		10.27 (261)
VOLTAGE/CIRCUIT BREAKER		200-240/60/1/3**
- FLA		20-16
		440-480/60/3
SHIPPING DIMENSIONS APPROX. - in (mm)		
Width		43.31 (1100)
Depth		43.31 (1100)
Height		66.93 (1700)
NET WEIGHT - lb (kg)		904 (410)
SHIPPING WEIGHT - lb (kg)		1147 (520)
AGENCY APPROVALS		cCSAus

*Fill hoses provided to convert BSP at machine to NPT supply connection.

**Operates on single or three phase systems as single phase.



DIMENSIONS	PAN80
A. OVERALL WIDTH - in (mm)	41.73 (1060)
B. OVERALL DEPTH - in (mm)	40.55 (1030)
C. OVERALL HEIGHT - in (mm)	59.05 (1500)
D. DOOR BOTTOM TO FLOOR - in (mm)	19.84 (504)