

ON-PREMISES PREMIUM SINGLE TUMBLE DRYER

PT030

30lb



FEATURES

- Easy-to-use digital control
- Electric, gas and steam heating
- Large door opening for easy loading and unloading
- Galvanized cylinder
- Axial airflow
- Large self-cleaning lint screen
- Fits through 36" door opening

OPTIONS

- Reversing cylinder to avoid tangling of large items
- Stainless steel cylinder
- Stainless steel front panel
- Sensodry+[®] over-dry prevention technology lowers energy, utility and linen replacement costs
- SafeTech[™] Fire Suppression System, a multi-port water manifold system, will saturate linens in an unlikely event of fire within the cylinder



FAST DRYING



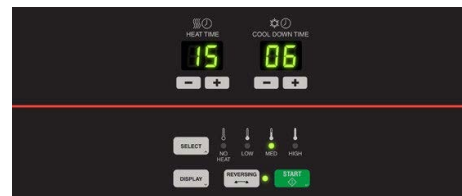
EASY OPERATION



SERVICE FRIENDLY

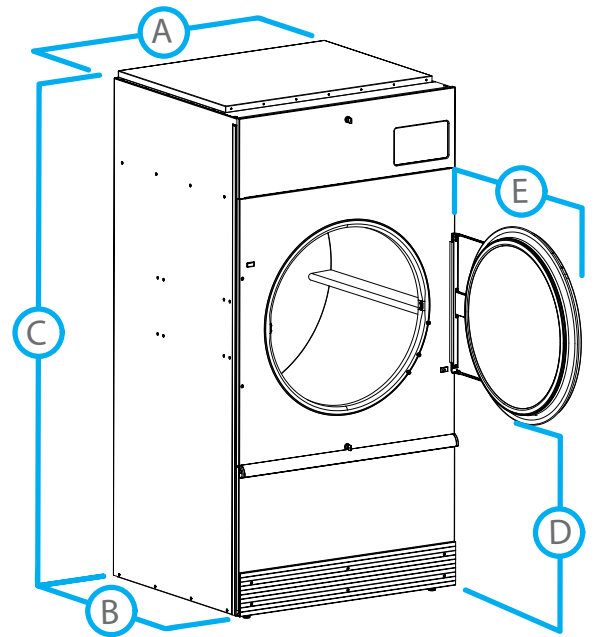


XQ Control



Dual Digital Control

MODEL			PT030	
CONTROL OPTION			XQ, DDC	
CAPACITY - lb (kg)			30 (14)	
OVERALL WIDTH - in (mm)			28 (711)	
OVERALL DEPTH - in (mm)			46.87 (1190)	
OVERALL HEIGHT - in (mm)			63.87 (1622)	
CYLINDER DIAMETER - in (mm)			26.5 (673)	
CYLINDER VOLUME - cu. ft (liters)			9.6 (272)	
DOOR OPENING SIZE - in (mm)			22.69 (576)	
ENERGY DATA	Steam Models - 100 psi		134,700 Btu/hr	
	Electric Models		21 kW	
EXHAUST - in (mm)			6 (152)	
GAS CONNECTIONS - in (npt)			0.5	
STEAM CONNECTIONS - in (npt)			0.75	
MOTOR - hp	Fan		0.25	
	Drive		0.25	
DRYING AVERAGE - lbs/min	Gas Heating		0.57	
	Electric Heating		0.6	
AIRFLOW - cfm			500	
ELECTRIC SPECS - amps			Non Rev (Rev)	
GAS & STEAM	100/200-220/60/1 2W+G		11.0/5.8	
	120/208-240/60/1 2W/3W+G		12.0/6.7	
	200-208/240/60/3 3W+G		3.2/3.2 (4.0/4.0)	
	380/60/3 3W+G		1.5 (2.0)	
	440/60/3 3W+G		1.6 (2.0)	
	460-480/60/3 3W+G		1.6 (2.0)	
	ELECTRIC	208/60/1 3W+G		108
		240/60/1 3W+G		94
200/60/1 2W+G			108	
200-208/60/3 3W+G			62 (62)	
240/60/3 3W+G			54 (54)	
380/60/3 3W+G			33 (33)	
440/60/3 3W+G			29 (29)	
460-480/60/3 3W+G			27 (27)	
SHIPPING DIMENSIONS - in (mm)	APPROX.	Width	30 (762)	
		Depth	49 (1245)	
		Height	69 (1753)	
NET WEIGHT - lb (kg)			330 (150)	
SHIPPING WEIGHT - lb (kg)			364 (165)	
AGENCY APPROVALS			cCSAus	



DIMENSIONS		PT030
A.	OVERALL WIDTH - in (mm)	28 (711)
B.	OVERALL DEPTH - in (mm)	46.87 (1190)
C.	OVERALL HEIGHT - in (mm)	63.87 (1622)
D.	DOOR BOTTOM TO FLOOR - in (mm)	27.5 (669)
E.	DOOR SWING - in (mm)	26.25 (667)