

ON-PREMISES PREMIUM SINGLE TUMBLE DRYER

PT
RANGE

PT055
55lb



FEATURES

- Easy-to-use digital control
- Electric, gas and steam heating
- Large door opening for easy loading and unloading
- Galvanized cylinder
- Axial airflow
- Large self-cleaning lint screen
- Fits through 36" door opening

OPTIONS

- Reversing cylinder to avoid tangling of large items
- Stainless steel cylinder
- Stainless steel front panel
- Sensodry+™ over-dry prevention technology lowers energy, utility and linen replacement costs
- SafeTech™ Fire Suppression System, a multi-port water manifold system, will saturate linens in an unlikely event of fire within the cylinder



FAST DRYING



EASY OPERATION



SERVICE FRIENDLY

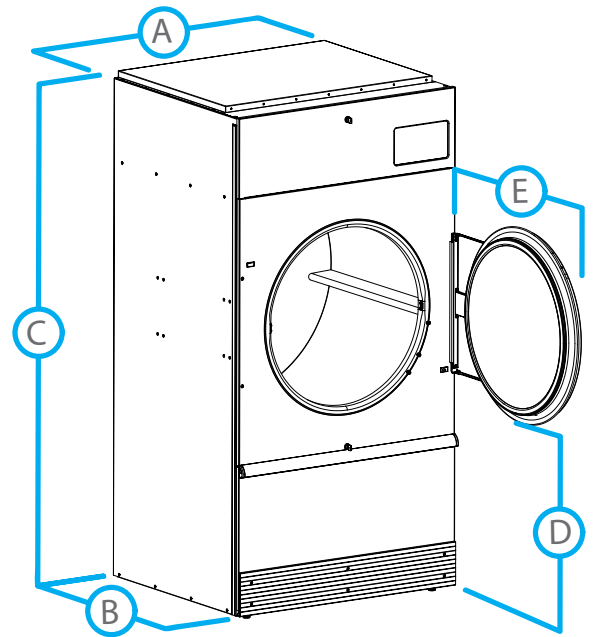


XQ Control



Dual Digital Control

MODEL		PT055
CONTROL OPTION		XQ, DDC
CAPACITY - lb (kg)		55 (25)
OVERALL WIDTH - in (mm)		34.5 (876)
OVERALL DEPTH - in (mm)		53.62 (1362)
OVERALL HEIGHT - in (mm)		66.72 (1695)
CYLINDER DIAMETER - in (mm)		33 (838)
CYLINDER VOLUME - cu. ft (liters)		17.3 (490)
DOOR OPENING SIZE - in (mm)		26.88 (683)
ENERGY DATA		Electric Models 27 kW
EXHAUST - in (mm)		8 (203)
GAS CONNECTIONS - in (npt)		0.5
MOTOR - hp		Fan 0.5 Drive 0.5
DRYING AVERAGE - lbs/min		Gas Heating 0.98 Electric Heating 0.88
AIRFLOW - cfm		700
ELECTRIC SPECS - amps		Non Rev (Rev)
GAS & STEAM		100/200-220/60/1 2W+G 9.8 120/208-240/60/1 2W/3W+G 9.2/6.5 200-208/240/60/3 3W+G 4.0/4.0 (4.0/4.5)
ELECTRIC		208/60/1 3W+G 129 240/60/1 3W+G 115 200/60/1 2W+G 122 200-208/60/3 3W+G 79 (79) 240/60/3 3W+G 65 (65)
SHIPPING DIMENSIONS - in (mm)		APPROX. Width 35.5 (902) Depth 59 (1499) Height 72 (1829)
NET WEIGHT - lb (kg)		435 (197)
SHIPPING WEIGHT - lb (kg)		476 (216)
AGENCY APPROVALS		cCSAus



DIMENSIONS		PT055
A.	OVERALL WIDTH - in (mm)	34.5 (876)
B.	OVERALL DEPTH - in (mm)	53.62 (1362)
C.	OVERALL HEIGHT - in (mm)	66.72 (1695)
D.	DOOR BOTTOM TO FLOOR - in (mm)	26.88 (683)
E.	DOOR SWING - in (mm)	31.88 (810)