

ON-PREMISES PREMIUM SINGLE TUMBLE DRYER

PT
RANGE

PT120

120lb



FEATURES

- Easy-to-use digital control
- Electric, gas and steam heating
- Large door opening for easy loading and unloading
- Galvanized cylinder
- Radial airflow
- Standard reversing cylinder to avoid tangling of large items
- Large self-cleaning lint screen
- Preheating of intake air

OPTIONS

- Stainless steel cylinder
- Stainless steel front panel
- Sensodry+® over-dry prevention technology lowers energy, utility and linen replacement costs
- SafeTech™ Fire Suppression System, a multi-port water manifold system, will saturate linens in an unlikely event of fire within the cylinder



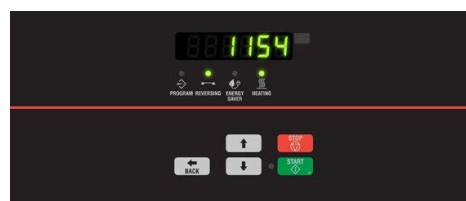
FAST DRYING



EASY OPERATION



SERVICE FRIENDLY



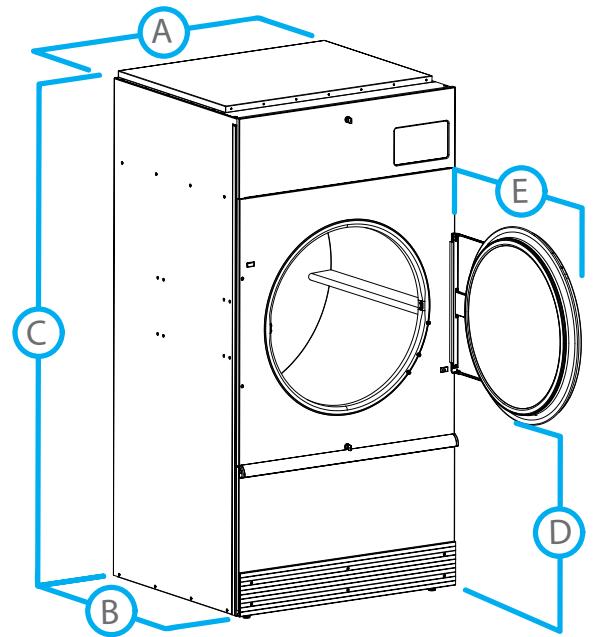
XQ Control



Dual Digital Control

MODEL		PT120
CONTROL OPTION		XQ, DDC
CAPACITY - lb (kg)		120 (54)
OVERALL WIDTH - in (mm)		46.38 (1178)
OVERALL DEPTH - in (mm)		67.92 (1725)
OVERALL HEIGHT - in (mm)		Gas/Electric 85.7 (2177) Steam 83.5 (2121)
CYLINDER DIAMETER - in (mm)		44 (1118)
CYLINDER VOLUME - cu. ft (liters)		36.1 (1022)
DOOR OPENING SIZE - in (mm)		26.88 (683)
ENERGY DATA		Steam Models - 100 psi 405,000 Btu/h Electric Models 60 kW Gas Models 270,000 Btu/h
EXHAUST - in (mm)		10 (254)
GAS CONNECTIONS - one manifold - in (npt)		1
STEAM CONNECTIONS - in (npt)		0.75
MOTOR - hp		Fan 1 Drive 0.75
DRYING AVERAGE - lbs/min		Gas Heating 1.94 Electric Heating 1.77
AIRFLOW - cfm		1600
ELECTRIC SPECS - amps		Rev
GAS & STEAM		200-208/240/60/3 3W+G 7.7 380/60/3 3W+G 4.1 *Steam Only - 440/60/3 3W+G 3.8 460-480/60/3 3W+G 3.9
ELECTRIC		240/60/3 3W+G 152 380/60/3 3W+G 94.5 480/60/3 3W+G 76.1
SHIPPING DIMENSIONS APPROX.		Width 48.5 (1232) Depth 71.5 (1816) Height 90 (2286)
NET WEIGHT - lb (kg)		Gas/Electric 1275 (578) Steam 1375 (624)
SHIPPING WEIGHT - lb (kg)		Gas/Electric 1338 (607) Steam 1446 (656)
AGENCY APPROVALS		cCSAus

*The data concerning dimensions of machines includes all extended parts.



DIMENSIONS		PT120
A.	OVERALL WIDTH - in (mm)	46.38 (1178)
B.	OVERALL DEPTH - in (mm)	67.92 (1725)
C.	OVERALL HEIGHT - in (mm)	Gas/Electric 85.7 (2177)
		Steam 83.5 (2121)
D.	DOOR BOTTOM TO FLOOR - in (mm)	31.38 (797)
E.	DOOR SWING - in (mm)	32.5 (826)