

# ON-PREMISES PREMIUM SINGLE TUMBLE DRYER

PT  
RANGE

PT170  
170lb



## FEATURES

- Easy-to-use digital control
- Electric, gas and steam heating
- Large door opening for easy loading and unloading
- Galvanized cylinder
- Radial airflow
- Standard reversing cylinder to avoid tangling of large items
- Large self-cleaning lint screen
- Preheating of intake air

## OPTIONS

- Stainless steel cylinder
- Stainless steel front panel
- Sensodry+® over-dry prevention technology lowers energy, utility and linen replacement costs
- SafeTech™ Fire Suppression System, a multi-port water manifold system, will saturate linens in an unlikely event of fire within the cylinder



FAST DRYING



LOW ENERGY CONSUMPTION



LARGE DOOR OPENING



XQ Control



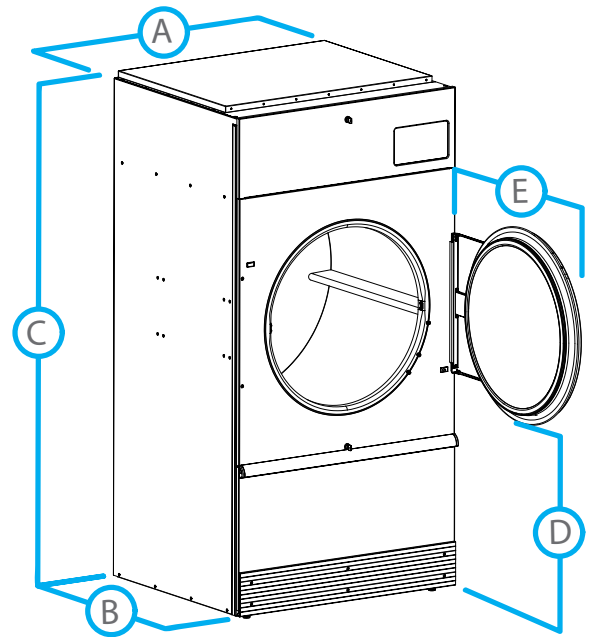
Dual Digital Control



*Ideas for the future. Answers for today.®*  
1.877.755.5302 | [www.coinamatic.com](http://www.coinamatic.com)

MODEL		PT170
CONTROL OPTION		XQ, DDC
CAPACITY - lb (kg)		170 (77)
OVERALL WIDTH - in (mm)		53.12 (1349)
OVERALL DEPTH - in (mm)		68.85 (1749)
OVERALL HEIGHT - in (mm)		94 (2388)
CYLINDER DIAMETER - in (mm)		50.75 (1289)
CYLINDER VOLUME - cu. ft (liters)		49.7 (1407)
DOOR OPENING SIZE - in (mm)		26.88 (683)
ENERGY DATA		
	Steam Models - 100 psi	648,000 Btu/h
	Gas Models	395,000 Btu/h
EXHAUST - in (mm)		12 (305)
GAS CONNECTIONS - one manifold - in (npt)		1
STEAM CONNECTIONS - in (npt)		0.75
MOTOR - hp		
	Fan	3
	Drive	0.75
DRYING AVERAGE - lbs/min		3.08
AIRFLOW - cfm		2450
ELECTRIC SPECS - amps		Rev
GAS & STEAM		
	200-208/240/60/3 3W+G	13.5
	380/60/3 3W+G	6.9
	*Steam Only - 440/60/3 3W+G	6.4
	460-480/60/3 3W+G	6.7
SHIPPING DIMENSIONS APPROX.		
	Width	55.6 (1412)
	Depth	73.75 (1873)
	Height	99 (2515)
NET WEIGHT - lb (kg)		
	Gas	1575 (714)
	Steam	1675 (760)
SHIPPING WEIGHT - lb (kg)		
	Gas	1667 (756)
	Steam	1776 (806)
AGENCY APPROVALS		cCSAus

\*The data concerning dimensions of machines includes all extended parts.



DIMENSIONS		PT170
A.	OVERALL WIDTH - in (mm)	53.12 (1349)
B.	OVERALL DEPTH - in (mm)	68.85 (1749)
C.	OVERALL HEIGHT - in (mm)	94 (2388)
D.	DOOR BOTTOM TO FLOOR - in (mm)	33.88 (860)
E.	DOOR SWING - in (mm)	32.5 (826)