

ON-PREMISES PREMIUM SINGLE TUMBLE DRYER

PT200

200lb

PT
RANGE



FEATURES

- Easy-to-use digital control
- Electric, gas and steam heating
- Large door opening for easy loading and unloading
- Galvanized cylinder
- Radial airflow
- Standard reversing cylinder to avoid tangling of large items
- Large self-cleaning lint screen
- Preheating of intake air

OPTIONS

- Stainless steel cylinder
- Stainless steel front panel
- Sensodry+® over-dry prevention technology lowers energy, utility and linen replacement costs
- SafeTech™ Fire Suppression System, a multi-port water manifold system, will saturate linens in an unlikely event of fire within the cylinder



FAST DRYING



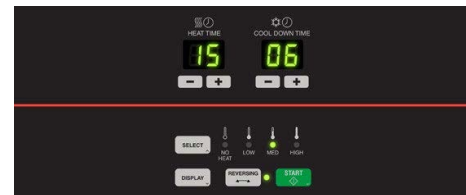
LOW ENERGY
CONSUMPTION



LARGE DOOR
OPENING



XQ Control



Dual Digital Control

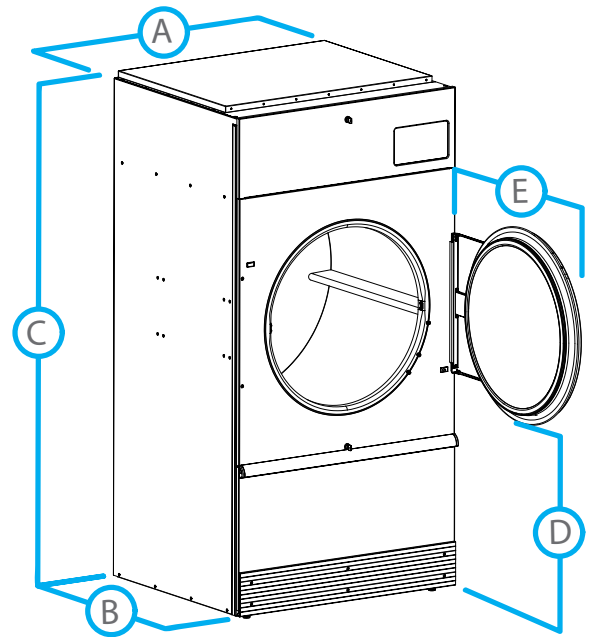
Coinamatic[™]
Commercial Laundry • CCL

Ideas for the future. Answers for today.®

1.877.755.5302 | www.coinamatic.com

MODEL		PT200
CONTROL OPTION		XQ, DDC
CAPACITY - lb (kg)		200 (91)
OVERALL WIDTH - in (mm)		53.12 (1349)
OVERALL DEPTH - in (mm)		76.35 (1939)
OVERALL HEIGHT - in (mm)		94 (2388)
CYLINDER DIAMETER - in (mm)		50.75 (1289)
CYLINDER VOLUME - cu. ft (liters)		58.5 (1657)
DOOR OPENING SIZE - in (mm)		26.88 (683)
ENERGY DATA		
Steam Models - 100 psi		648,000 Btu/h
Gas Models		425,000 Btu/h
EXHAUST - in (mm)		12 (305)
GAS CONNECTIONS - one manifold - in (npt)		1
STEAM CONNECTIONS - in (npt)		0.75
MOTOR - hp		
Fan		3
Drive		0.75
DRYING AVERAGE - lbs/min		3.41
AIRFLOW - cfm		2450
ELECTRIC SPECS - amps		Rev
GAS & STEAM		
200-208/240/60/3 3W+G		14
*Steam Only - 440/60/3 3W+G		7
460-480/60/3 3W+G		7
SHIPPING DIMENSIONS APPROX.		
Width		55.6 (1412)
Depth		81.25 (2064)
Height		99 (2515)
NET WEIGHT - lb (kg)		
Gas		1741 (790)
Steam		1808 (820)
SHIPPING WEIGHT - lb (kg)		
Gas		1818 (825)
Steam		1885 (855)
AGENCY APPROVALS		cCSAus

*The data concerning dimensions of machines includes all extended parts.



DIMENSIONS		PT200
A.	OVERALL WIDTH - in (mm)	53.12 (1349)
B.	OVERALL DEPTH - in (mm)	76.35 (1939)
C.	OVERALL HEIGHT - in (mm)	94 (2388)
D.	DOOR BOTTOM TO FLOOR - in (mm)	33.88 (860)
E.	DOOR SWING - in (mm)	32.5 (826)