

ON-PREMISES SOFTMOUNT WASHER EXTRACTOR

PYN275

275lb

PYN
RANGE

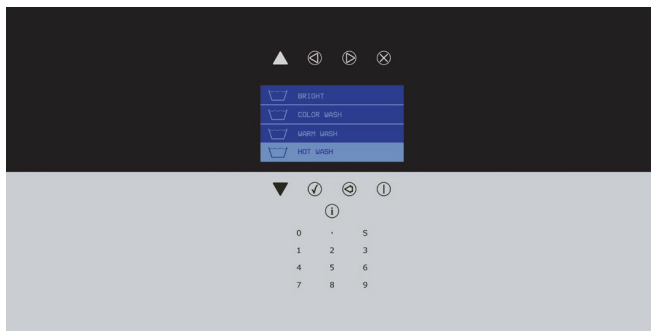


FEATURES

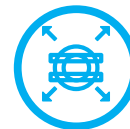
- Freestanding, high spin, 350 G-Force
- Stainless steel top, front, and side panels
- Stainless steel cylinder and tub
- XControl+ – fully programmable control
- Up front five cup soap hopper
- Large dual drain valves
- Large door opening for easy loading and unloading
- SuperWash[®] perforated lifting ribs create more mechanical action
- SuperEco washing programs significantly reduce water and electricity consumption
- Warranty: First three years on all parts; First five years frame and cylinder shaft assembly; First five years on cylinder bearings and bearing seals (parts only)

OPTIONS

- Steam heating



ROBUST DESIGN



EXTRA LARGE
DOOR



LARGE DRAIN
VALVE CYCLES



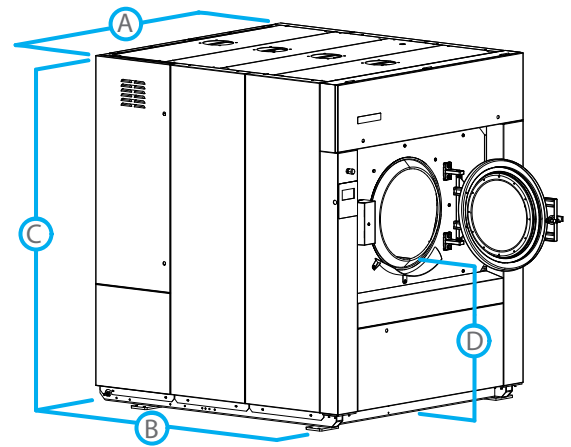
3 YEAR PARTS
WARRANTY

Coinamatic[™]
Commercial Laundry • CCL

Ideas for the future. Answers for today.®

1.877.755.5302 | www.coinamatic.com

MODEL		PYN275	
CONTROL OPTION		XControl+	
CAPACITY - lb (kg)		275 (125)	
DIMENSIONS W/ TILT - in (mm)		Width	78.74 (2000)
		Depth	84.13 (2137)
		Height	87.20 (2215)
NET WEIGHT W/ TILT - lb (kg)		8466 (3840)	
DIMENSIONS W/O TILT - in (mm)		Width	73.03 (1855)
		Depth	82.09 (2085)
		Height	82.09 (2085)
NET WEIGHT W/O TILT - lb (kg)		7672 (3480)	
CYLINDER DIAMETER - in (mm)		51.18 (1300)	
CYLINDER DEPTH - in (mm)		34.25 (870)	
CYLINDER VOLUME - cu. ft. (liters)		41.7 (1181)	
DOOR OPENING SIZE - in (mm)		25.59 (650)	
DOOR BOTTOM TO FLOOR - in (mm)		33.15 (842)	
WASH SPEED - RPM		32	
EXTRACT SPEED- RPM		695	
EXTRACT G-FORCE		350	
WATER INLET CONNECTION - in (mm)		3 x 1.5 (38)	
STEAM INLET CONNECTION - in (mm)		1 (25)	
DRAIN CONNECTION - in (mm)		2 x 4 (102)	
MOTOR POWER CONSUMPTION - hp (kw)		24.81 (19)	
VOLTAGE/CIRCUIT BREAKER - FLA		208-240/60/3	50-378
		400-480/60/3	40-29.4
SHIPPING DIMENSIONS APPROX. W/ TILT - in (mm)		Width	85.83 (2180)
		Depth	92.52 (23.50)
		Height	95.47 (2425)
SHIPPING WEIGHT W/ TILT - lb (kg)		8598 (3900)	
SHIPPING DIMENSIONS APPROX. W/O TILT - in (mm)		Width	78.74 (2000)
		Depth	85.43 (2170)
		Height	92.32 (2345)
SHIPPING WEIGHT W/O TILT - lb (kg)		8179 (3710)	
AGENCY APPROVALS		CSA	



DIMENSIONS W/ TILT	PYN275
A. OVERALL WIDTH - in (mm)	78.74 (2000)
B. OVERALL DEPTH - in (mm)	84.13 (2137)
C. OVERALL HEIGHT - in (mm)	87.20 (2215)
D. DOOR BOTTOM TO FLOOR - in (mm)	33.15 (842)

DIMENSIONS W/O TILT	PYN275
A. OVERALL WIDTH - in (mm)	73.03 (1855)
B. OVERALL DEPTH - in (mm)	82.09 (2085)
C. OVERALL HEIGHT - in (mm)	82.09 (2085)
D. DOOR BOTTOM TO FLOOR - in (mm)	33.15 (842)