

# MLE/MLG27PD

## MAYTAG® COMMERCIAL SINGLE-LOAD SUPER-CAPACITY STACK DRYER



### LEGENDARY MAYTAG DEPENDABILITY

Maximizing your equipment investment for over a half-century.

### TWO POCKETS IN THE SPACE OF ONE

You can potentially double your dryer income and help eliminate waiting with two dryer pockets in the same floor space as one single-load dryer.

### FOR YOUR CUSTOMERS:

- Extra-Large 7.4 cu. ft. Capacity
- Easy-To-Use One-Touch Selection
- High Airflow For Better Clothes Care
- Time Remaining Display
- Optional Top-Off
- Larger Window For Convenience

### FOR YOUR OPERATION:

- TurboVent™ Technology—Better Performance On Long Vents
- Advanced Computer Trac® Controls Allow For Easy Programming
- Front Access For Easier Self Service
- Accu Trac® Audit System With Two-Way Data Communication
- Large-Capacity Metal Mesh Lint Filter
- Debit Card Compatibility
- Dual Coin-Drop Option

### BUILT-TO-LAST™ FEATURES:

- Four Roller Suspension With Permanently Lubricated Bearings
- Blower Guard Reduces Service Calls
- Premium Security Vault
- 5-Year Limited Warranty—All Parts Covered



Visit [maytagcommerciallaundry.com](http://maytagcommerciallaundry.com) or call 800-662-3587



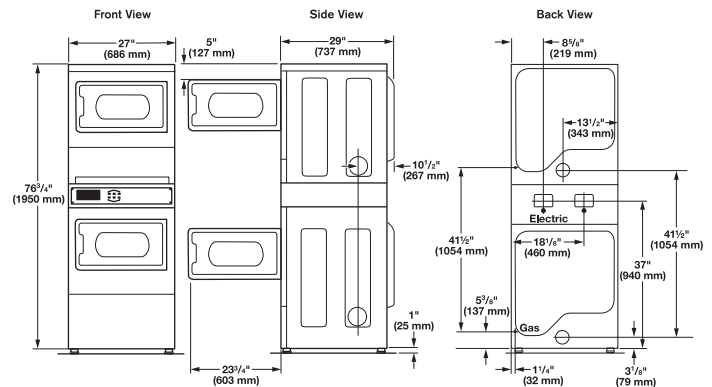
# MLE/MLG27PD

MAYTAG® COMMERCIAL  
SINGLE-LOAD SUPER-CAPACITY  
STACK DRYER

## MAYTAG® COMMERCIAL SINGLE-LOAD SUPER-CAPACITY STACK DRYER MICROPROCESSOR COIN-DROP

DRYER SPECIFICATIONS	
<b>MODEL</b>	<b>MLE/MLG27PD</b>
<b>MOTOR</b>	
Single-phase, thermoprotected against overload, auto-reset	▪
HP (kw)	1/3 (.33)
<b>CAPACITY</b>	
Cu. ft. (liters)	7.4 (209.5)
<b>AIRFLOW</b> —cfm (cmm)	
Gas/Electric models—per pocket	230 (6.5)/215 (6.1)
<b>TUMBLE SPEED</b>	
RPM	50 ± 1.5
<b>SOUND LEVEL (export model only)</b>	
Sound pressure level, Lpa (dBA) (Kpa: ± 10dBA)	58
<b>ELECTRICAL REQUIREMENTS</b>	
MLE model—voltage	240V/60Hz*
MLG model—voltage	120V/60Hz
Export models—voltage	220–240V/50 Hz
<b>BREAKER/FUSE REQUIREMENTS</b> —amps	
Electric model—domestic (each drying chamber)	30
Electric model—export (one terminal block per stack)	50
Electric model—Canada (one terminal block per stack)	60
Gas models, all versions—(one power cord per stack)	15
<b>HEATER ELEMENT RATING</b> —watts	
Domestic model—per pocket	5,600
Export models—per pocket	4,600
<b>EXHAUST DUCT DIAMETER</b>	
In. (mm)	4 (101.6)
<b>ELECTRONIC BURNER IGNITION</b>	
MLG models	▪
<b>GAS RATING</b>	
MLG models—BTU/hr. (kcal/hr.)	24,000 (6,048)
MLG export model—BTU/hr. (kcal/hr.)	20,000 (5,040)
<b>GAS INLET</b>	
MLG models—in.	3/8 N.P.T.
<b>AUTOMATIC PRESSURE REGULATOR</b>	
MLG models	▪
<b>ADJUSTABLE LEVELING LEGS</b>	
MLG models	▪
<b>APPROXIMATE WEIGHT</b>	
Crated—lbs. (kg)	294 (133.4)
Uncrated—lbs. (kg)	272 (123.4)
<b>DIMENSIONS</b>	
Width—in. (mm)	27 (686)
Depth—in. (mm)	29 (737)
Height—in. (mm)	76.75 (1,950)

See specific instructions for proper installation. Because of continuous product improvement, Maytag reserves the right to change specifications without notice.  
\*208-Volt electrical element kit available.



### MAXIMUM EXHAUST DUCT LENGTH PER NUMBER OF TURNS

Number Of 90° Turns	Rigid Metal Vent	
	Box Hood and Louvered Style	Angled Hood Style
0	135 ft. (41.2 m)	129 ft. (39.3 m)
1	125 ft. (38.1 m)	119 ft. (36.3 m)
2	115 ft. (35.1 m)	109 ft. (33.2 m)
3	106 ft. (32.3 m)	100 ft. (30.5 m)
4	98 ft. (29.9 m)	92 ft. (28.0 m)



### 5-YEAR LIMITED WARRANTY ALL PARTS COVERED

For a period from the date of original purchase through the time listed above, the designated parts that fail in normal commercial use will be repaired or replaced free of charge for the part itself, with the owner paying all other costs, including labor, transportation and customs duty. Chemical damage is excluded from all warranty coverage. See complete warranty for details.

## OUR COMMITMENT TO DEPENDABLE QUALITY

At Maytag brand, we believe durable goods should remain just that. That's why every Maytag® product is constructed of the highest-quality materials and with the utmost in precision craftsmanship. It's also why we stand behind our equipment with solid service and support from our professional Maytag laundry suppliers. Simply put, when you choose Maytag® products, you ensure your peace of mind.