

# HUEBSCH MULTI-HOUSING

QUANTUM® GOLD PREP FOR COIN, PREP FOR CARD

## COMMERCIAL STACK WASHER/DRYER – CANADA

### Built for Reliable Performance

Huebsch's stack washer/dryer brings an innovative stacked concept that takes up half the floor space that a conventional washer and dryer does when situated side by side. The freestanding softmount design can be installed on all floor types or levels. Both washer and dryer have the same hookups and connections as a standard washer and dryer. No additional plumbing or electrical change is needed. Huebsch's stack washer/dryer combines heavy-duty construction with reliable operation proven to stand the test of time. They're designed with less moving parts for one reason: so you'll face fewer maintenance problems and less wear and tear down the road. Front load products have met every design standard to be 100% ADA compliant.

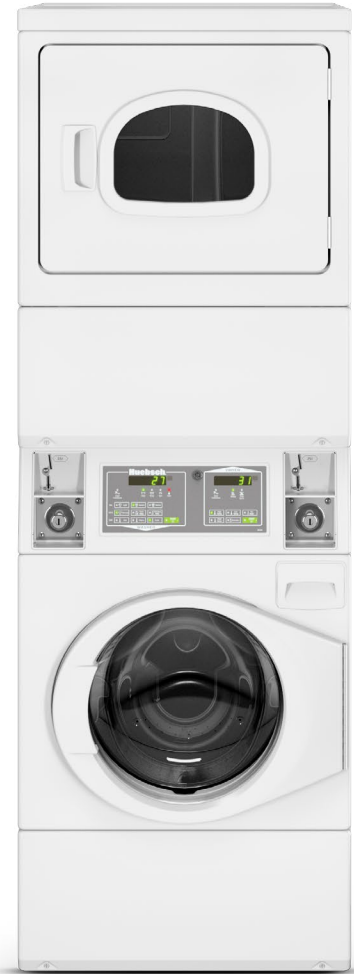
- Integrated meter case
- Large capacity meter case standard
- Wash Alert™ capability

#### WASHER (ADA Compliant)

- Rugged suspension system
- Industry leading 1200 RPM spin speed exerts 440 G-force extraction
- Durable stainless steel washtub
- Four-compartment soap dispenser
- Extra-wide 15.5" door opening and 180° door swing

#### DRYER

- Upfront lint filter easy to clean and secured
- Industry's largest door opening 2.06 sq. ft. (1914 cm<sup>2</sup>)
- Quiet, efficient blower system



Washer Control

Dryer Control

The cutting edge Quantum® control system from Huebsch® gives you the freedom to manage laundry your way with the power to achieve unmatched levels of revenue. Quantum® Gold provides users with additional cycle choices while offering new options to help lower operating costs and incorporates tools and options to increase revenue.



SPECIFICATIONS

# COMMERCIAL STACK WASHER/DRYER – CANADA

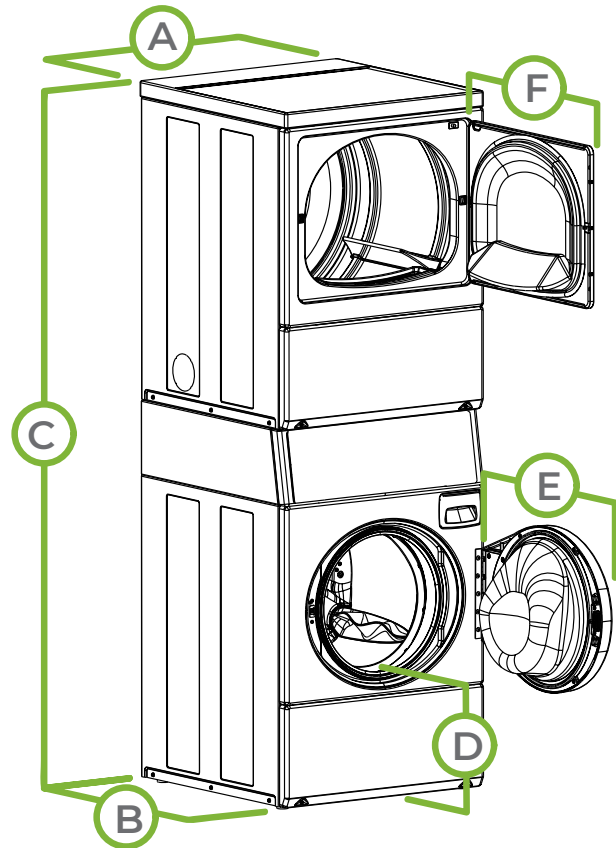
MODEL - see below for all models and activation available	
CONTROL OPTION	Quantum Gold
COLOR	White
CAPACITY - lb (kg)	Washer 21.5 (9.5) Dryer 18 (8.2)
OVERALL WIDTH - in (mm)	26.875 (683)
OVERALL DEPTH - in (mm)	27.73 (704)
OVERALL HEIGHT - in (mm)	78.17 (1986)
CYLINDER VOLUME cu. ft. (liters)	Washer 3.42 (96.8) Dryer 7.0 (198)
MOTOR SIZE - HP (kW)	0.9 (0.67)
TYPE OF GAS (GAS MODELS ONLY)	Factory equipped natural
WATER CONSUMPTION PER CYCLE - g (liter)	13.68 (51.78)
IWF (WATER FACTOR) - gal/ft <sup>3</sup> (liters/liter/cycle)	4.0 (0.53)
MEF <sub>3</sub> (Modified Energy Factor) ft <sup>3</sup> /kWh/cycle (Liters/kWh/cycle)	2.20 (62.3)
AVAILABLE WATER TEMPERATURES	Hot, Warm, Cold
AVAILABLE CYCLES	Washer Light, Medium, Heavy, Normal, Perm Press, Delicates/Bulky
	Dryer High, Medium, Low, Delicate, No Heat
AIR OUTLET DIAMETER - in (mm)	4 (102)
EXHAUST AIRFLOW - cfm (liters/sec)	220 (105)
ELECTRICAL REQUIREMENTS	Electric 120/240/60/1-40 amp 120/208/60/1-40 amp
	Gas 120/60/1-20 amp
HEATING ELEMENT	Electric 5000W, 240V 4250W, 208V
	Gas 25,000 Btu
NET WEIGHT - lb (kg)	385 (175)
SHIPPING WEIGHT - lb (kg)	417 (189)
SHIPPING DIMENSIONS APPROX. - in (mm)	Width 34 (864)
	Depth 30 (762)
	Height 80 (2032)
AGENCY APPROVALS	Electric cULus
	Gas cCSAus

MODELS	VOLTAGE/FREQ/PH	DRAIN	ACTIVATION
HTENXASP285CW01	120/240/60/1	Electric Pump	Prep for Coin
HTENXASP295CW01	120/208/60/1		
HTGNXASP095CW01	120/60/1	Gas	
HTENYASP285CW01	120/240/60/1	Electric Pump	Prep for Card
HTENYASP295CW01	120/208/60/1		

NOTE: Stack washer/dryer requires a single inlet power supply circuit.

■ Electric dryers come equipped for 240/60/1 operation. They can be field converted to operate on 208/60/1 with optional 61928 conversion kit. Gas dryers can be field converted for operation on LP gas with optional 458P3 conversion kit.

For the most accurate information, the installation guide should be used for all design and construction purposes. Due to continuous product improvements, design and specifications subject to change without notice. The quality management system at Alliance Laundry Systems are registered to ISO 9001.



A.	OVERALL WIDTH - in (mm)	26.875 (683)
B.	OVERALL DEPTH - in (mm)	27.73 (704)
C.	OVERALL HEIGHT - in (mm)	78.17 (1986)
D.	FLOOR TO DOOR OPENING -in (mm)	14.6 (371)*
E.	DOOR SWING - in (mm)	24 (610)

\* For ADA compliance turn legs out from base 0.5 inches