

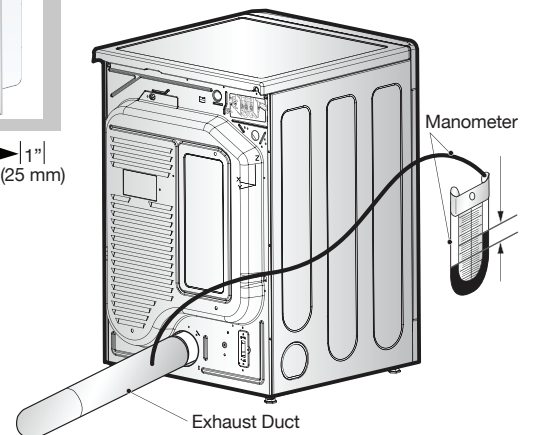
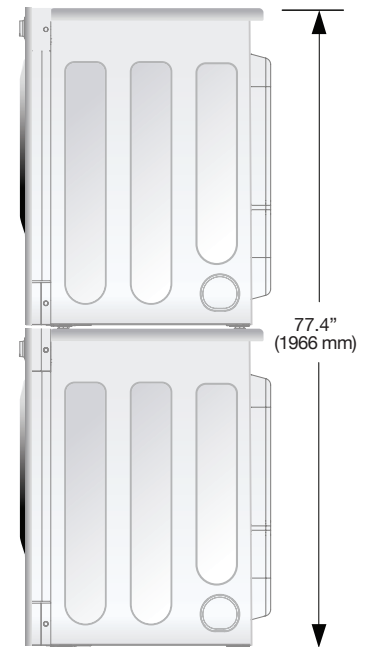
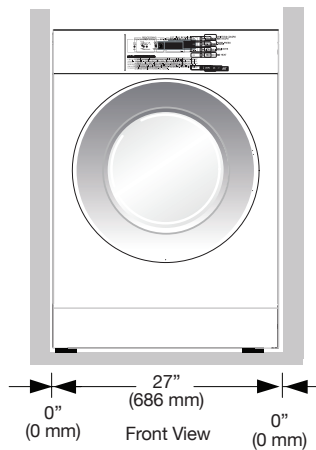
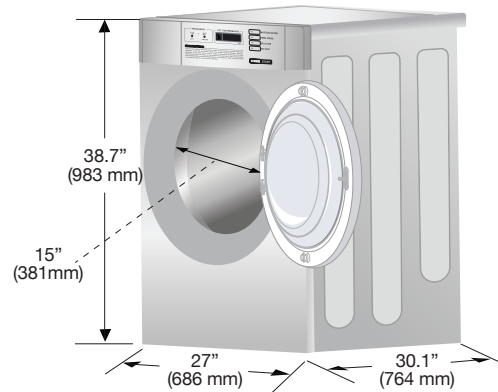
Giant C Dryer

LG PLATINUM DRYER

ARCHITECTURAL/MECHANICAL
PRODUCT SPECIFICATIONS

GDL1329 Dryer GAS ELECTRIC

CYLINDER		
Capacity <i>lbs</i>	22.5	22.5
Cylinder Diameter <i>inch</i>	26.1	26.1
Cylinder Depth <i>inch</i>	22.5	22.5
Cylinder Volume <i>cu ft</i>	7.3	7.3
DIMENSIONS & WEIGHT		
Net Weight <i>lbs</i>	130	130
Crated Weight <i>lbs</i>	143	143
Machine Dimensions <i>inch</i> WxDxH	27 X 30.1 X 38.7	27 X 30.1 X 38.7
Machine Depth w/Door Opening <i>inch</i>	49.8	49.8
Shipping Dimensions <i>inch</i> WxDxH	29.9 X 31.3 X 46.1	29.9 X 31.3 X 46.1
OPERATION		
Type of Drying	Ventilation	
Air Flow <i>CFM</i>	160	160
Motor <i>kW</i>	0.25	0.25
Gas Ratings <i>kW/BTU</i>	5.8 / 20,000	—
Heating Element <i>kW</i>	—	5.4
Program Duration (default) <i>minutes</i>	45	45
ELECTRIC RATINGS		
Available Voltages <i>V/Hz/A</i>	120/60/1	208-240/60/1
CONNECTIONS		
Air Outlet Diameter <i>inch</i>	4	4
Exhaust Airflow Diameter <i>inch</i>	4	4
PROGRAMS		
High Temp	•	•
Med Temp	•	•
Low Temp	•	•
No Heat	•	•
ETERNAL FINISH		
Drum	Aluminum Coated Steel	



Specifications subject to change without notice or obligation.

