

SPECIFICATIONS

MHN33PD

ENERGY ADVANTAGE™ HE FRONT-LOAD WASHER



ADVANCED SPIN TECHNOLOGY

- Delivers more accurate cycle times and better unbalanced performance.*
- A six-point suspension features four dampers and two springs, providing better stability for the entire wash unit.
- An accelerometer provides an accurate reading of cabinet vibration.



DURACORE DRIVE SYSTEM

- DuraCore Drive System is designed and tested to run 15,000 cycles.**
- Watertight, flexible triple-lip seal with garter spring keeps moisture away from the shaft, protecting the premium bearings.
- Durable shaft sleeve is designed to eliminate shaft wear.



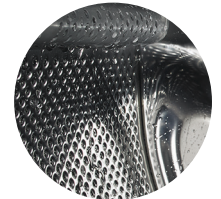
INTELLIGENT CONTROLS WITH M-SERIES TECHNOLOGY

- Provides powerful profits for owners and flexibility for customers.
- Enhanced controls allow customized setup; each cycle and option can be priced individually, maximizing revenue.



ENERGY-EFFICIENT CLEANING

- ENERGY STAR®-certified and uses on average 10.71 gallons of water per cycle, which helps reduce energy and water costs.
- TurboWash® System's proven high-efficiency technology delivers energy savings without sacrificing cleaning performance.



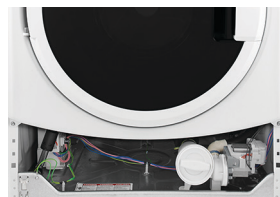
REDESIGNED BELLOW



ROBUST HINGE



DURABLE DISPENSER



FRONT ACCESS PANEL

CLOTHESPIN® APP BY MAYTAG COMPATIBLE

- Customers will love how convenient it is to do their laundry with the new Clothespin® app by Maytag.
- They can use their smartphones to pay for their laundry, remotely check for available washers and dryers, and receive a notification when their laundry cycles are complete.***



*Compared to previous model, MHN30, based on 18-lb. load.

**Based on 11-lb. load, 34 min. timed cycle, Heavy Soil.

***Subject to terms of use and privacy policy. Message and data rates may apply. In Canada, Maytag Connect 360™ Technology compatible only.

SPECIFICATIONS

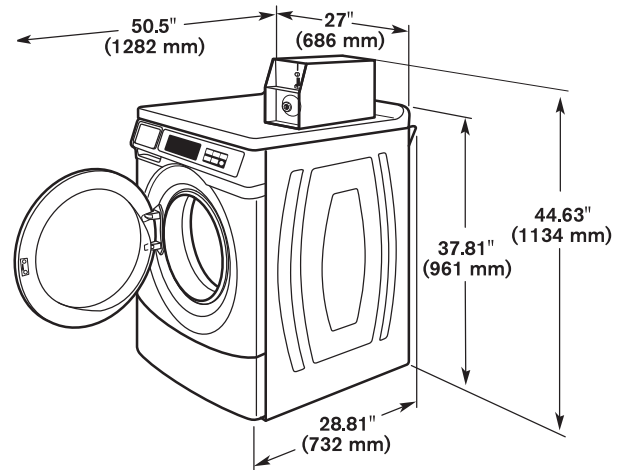
MHN33PD

ENERGY ADVANTAGE™ HE FRONT-LOAD WASHER



MAYTAG® ENERGY ADVANTAGE™ HE FRONT-LOAD WASHER INTELLIGENT CONTROLS, COIN-DROP

WASHER SPECIFICATIONS	
MODEL	MHN33PD
MOTOR	½ (.37)
Variable-Speed, Reversible, Thermoprotected, High-Efficiency, Controlled Induction	Yes
Wash — HP (kW)	.09 (.07)
Extract — HP (kW)	.54 (.40)
Average Energy Consumption Per Cycle (kWh)	.054
CAPACITY	
Cylinder Volume — cu. ft. (liters)	3.1 (88)
Cylinder Diameter — in. (mm)	21.6 (547)
Cylinder Depth — in. (mm)	13.4 (341)
WATER INLET HOSE	
Ft. (m)	4 (1.22)
DRAIN HOSE	
Ft. (m)	6 (1.83)
APPROXIMATE WATER USAGE — GALLONS (LITERS)	
Average Hot Water Usage, Hot Water Cycle	2.71 (10.26)
Average Hot Water Usage, Warm Water Cycle	.71 (2.69)
Average Total Water Usage Per Cycle*	10.71 (40.5)
Modified Energy Factor (MEF _{J2})*	2.2
Integrated Water Factor (IWF)*	3.50
ELECTRICAL RATING	
Domestic Model — voltage	120V / 60Hz
BREAKER / FUSE MIN. REQUIREMENTS	
Domestic Model — amps	15
WASH SPEED — RPM	40
EXTRACT SPEED — MAX RPM / MAX G-FORCE	1,000 / 300
WATER SUPPLY PRESSURE	
Psi (bar)	20 – 100 (1 – 8)
ADJUSTABLE LEVELING LEGS	Yes
COLOR	White
APPROXIMATE WEIGHT	
Crated — lbs. (kg)	254 (115)
Uncrated — lbs. (kg)	245 (111)
DIMENSIONS	
Width — in. (mm)	27 (686)
Depth — in. (mm)	28.81 (732)
Height — in. (mm)	44.63 (1,134)**
Door Opening Diameter — in. (mm)**	14.25 (362)
ADA-Compliant with Optional Pedestal	Yes
OPTIONAL PEDESTAL ADD:	
Height — in. (mm)	2.75 (70)



*Based on 2018 United States DOE J2 testing with factory preset cycles.

**Includes height of metercase.

Dimensions are for planning purposes only. See specific instructions for proper installation. Because of continuous product improvement, Maytag reserves the right to change specifications without notice.

